

# Vacuum filter FC-series

## ABOUT THE FC-FILTER

FC filters are especially suitable for washing and dewatering of slurries. The drum surface is divided in cells. By means of a mechanical device in the suction head, sections of the drum can be cut off from vacuum while other sections can be pressurized.

FC filters can be provided with different cake discharge systems.

## Process description

Product is sucked on to the filter drum surface. The fluid and air pass the filter medium, enter the suction pipes inside the drum and are discharged through the suction header into the filtrate separator. The solids remain on the filter medium and are discharged.

## Design

FC vacuum filters are provided with an agitator, cake discharge system, drum cleaning spray pipe and filtrate separator with level control.

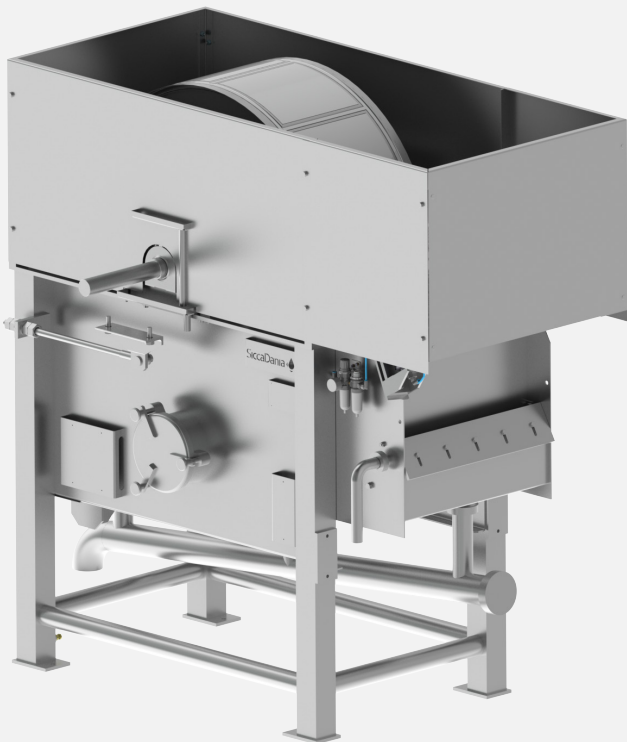
FC filters can be provided with different cake discharge systems, a blowback system and a cake washing system. SiccaDania vacuum filters are made of stainless steel.

## Benefits

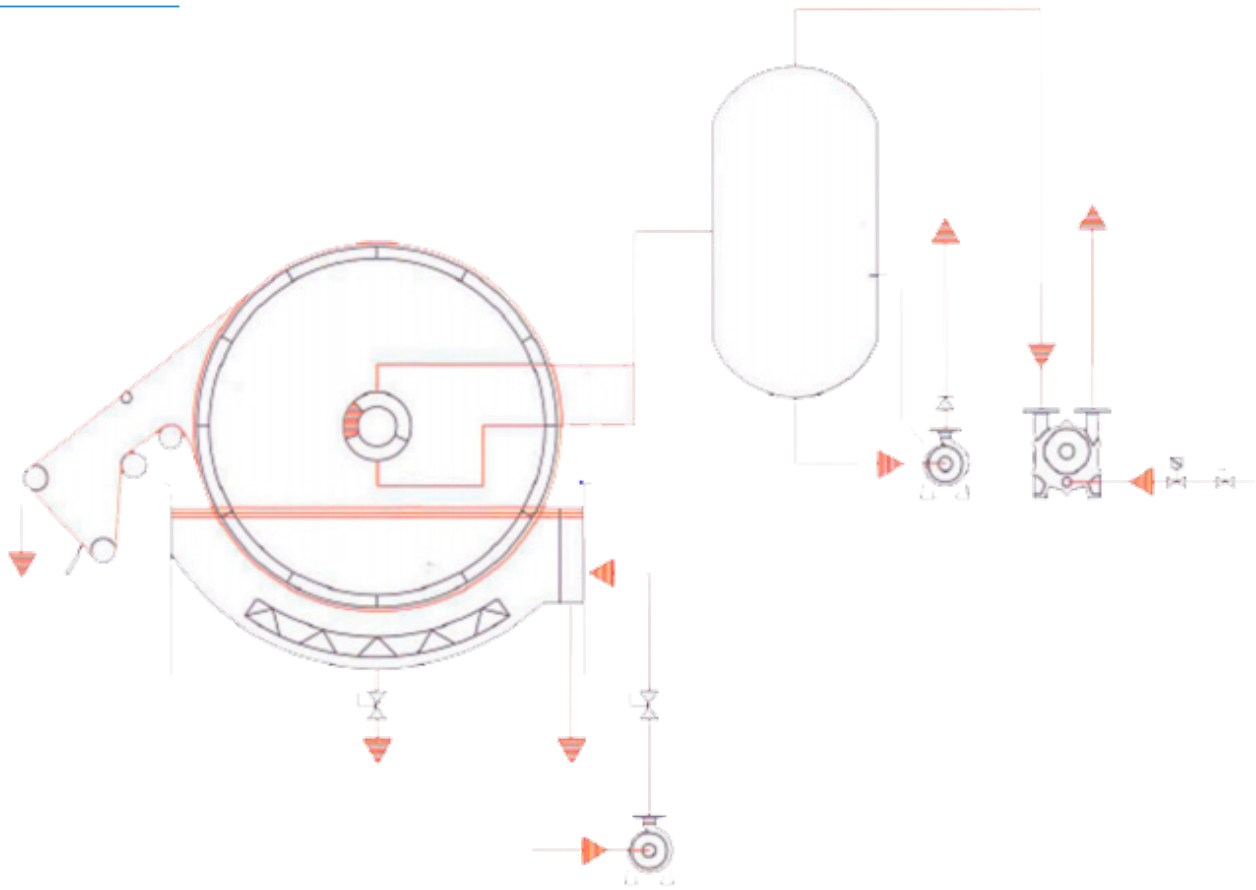
- High efficiency
- Long operational life
- Minimal maintenance
- Sanitary construction
- Wear resistant

## Cake discharge systems

- Scraper knife discharge
- Cloth discharge
- Fleece discharge
- String discharge
- Roll discharge



## Technical data



## Applications

- Dewatering of crystals
- Dewatering of fibers
- Filtration of glucose
- Effective filter surface ranging from 0.3 m<sup>2</sup> to 100m<sup>2</sup>

