

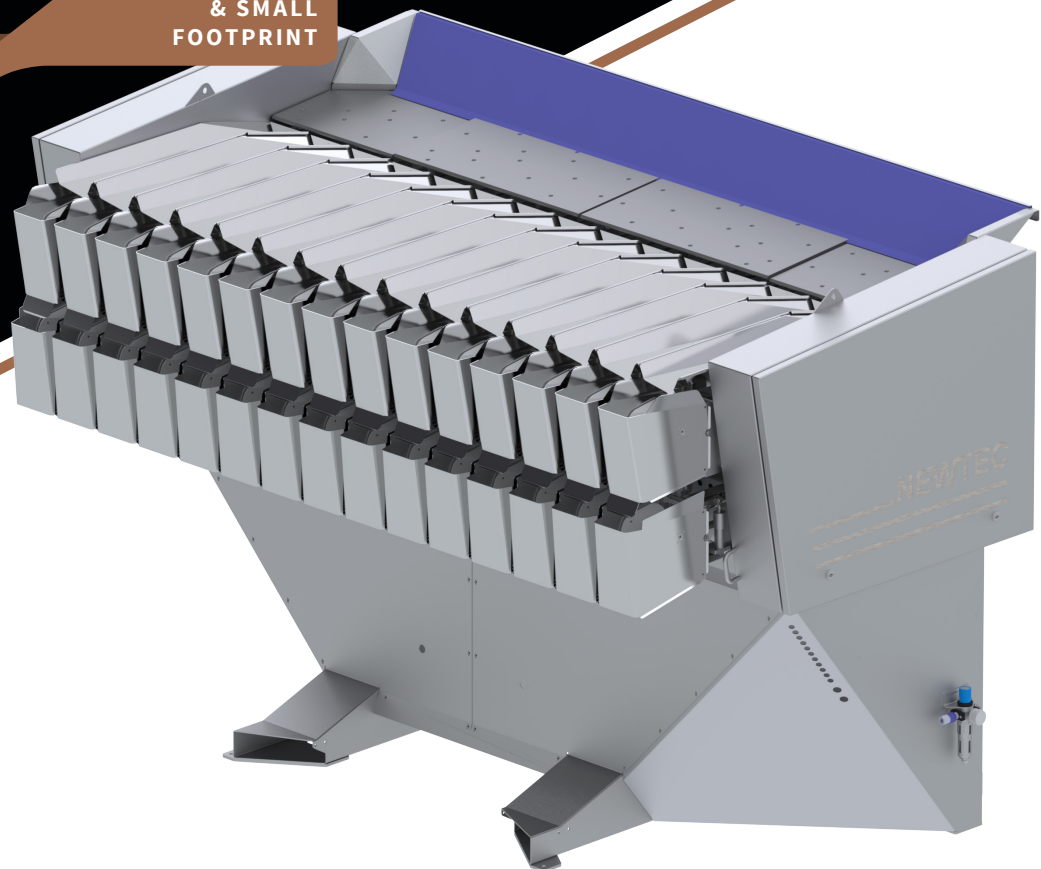
NEWTEC WEIGHING MACHINE

4015B2

4000B2 SERIES (4009B2, 4012B2, **4015B2**)

HIGH
CAPACITY
& SMALL
FOOTPRINT

ALSO AVAILABLE
FOR CARROTS



High speed & weighing accuracy

Advantages

- High weighing accuracy: Typical giveaway: less than 0.2%
- High speed – up to 85 portions / min. at 2 kg.
- Flexible system to handle large as well as small vegetables and fruits
- Gentle product handling with low drop height
- Option: Newtec WebServices for remote servicing, data collection and analysis
- Option: Newtec MachineLink for easy control of more Newtec machines from only one touchscreen

Application

Washed vegetables and fruits such as:

- Potatoes • Carrots (G-model) • Onions • Peppers • Citrus • Avocados
- Brussel Sprouts • Garlic • Similar products



WEBSERVICES AVAILABLE
FOR REMOTE SERVICING

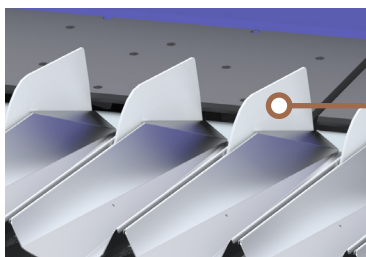
YOUR ADVANTAGES

- Robust stainless steel construction
- No tools required for dismantling and assembly of weigh pans
- Easy access for cleaning and service
- Small footprint
- Low cost of ownership

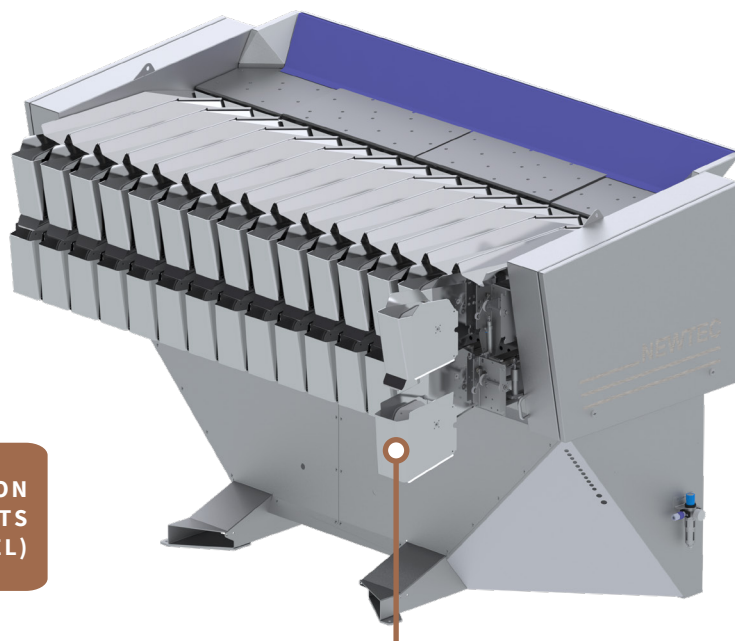
SOLUTION FOR CARROTS (G-MODEL)

OPTION

- Model 4015B2G for carrots
- With a unique feature for optimal alignment and distribution of the carrots



Carrot divider



Detachable weigh heads

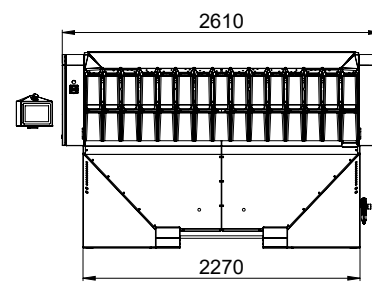
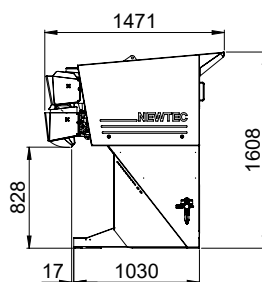
NEWTEC SOFTWARE

- Intuitive user interface
- Informative and upgradable
- Same user interface on all Newtec weighing and packing machines



WEIGHING MACHINE WITH 15 CHANNELS

Speed / Capacity	Up to 85 portions / min. at 2 kg.
Portion sizes	0.5 - 5 kg. (depending on product)
Weigh head volume	3 L.
Weigh head width	130 mm.
Material	According to the EU/FDA rules on food contact materials
Protection class	IP54
Air requirement	
Connection	3/8"
Min. pressure	6 bar (0.6 Mpa)
Consumption	100 NL/min.
Electrical requirement	3 x 220 VAC or 400 VAC (N) PE 50/60 Hz 3-6kW
Environment	5°C - 40 °C
Weight	850 kg. (excl. portion collection system)



CAPACITY PORTIONS / MIN. POTATOES UP TO:

0.5 kg.	110
1 kg.	95
2.5 kg.	85
5 kg.	55

