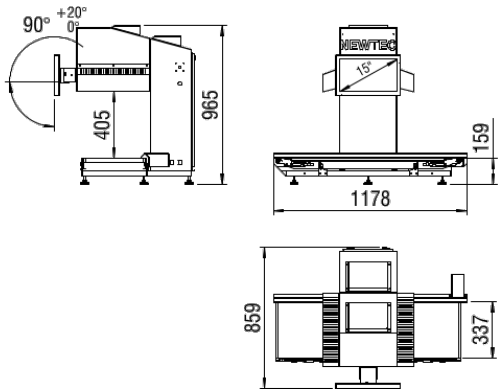
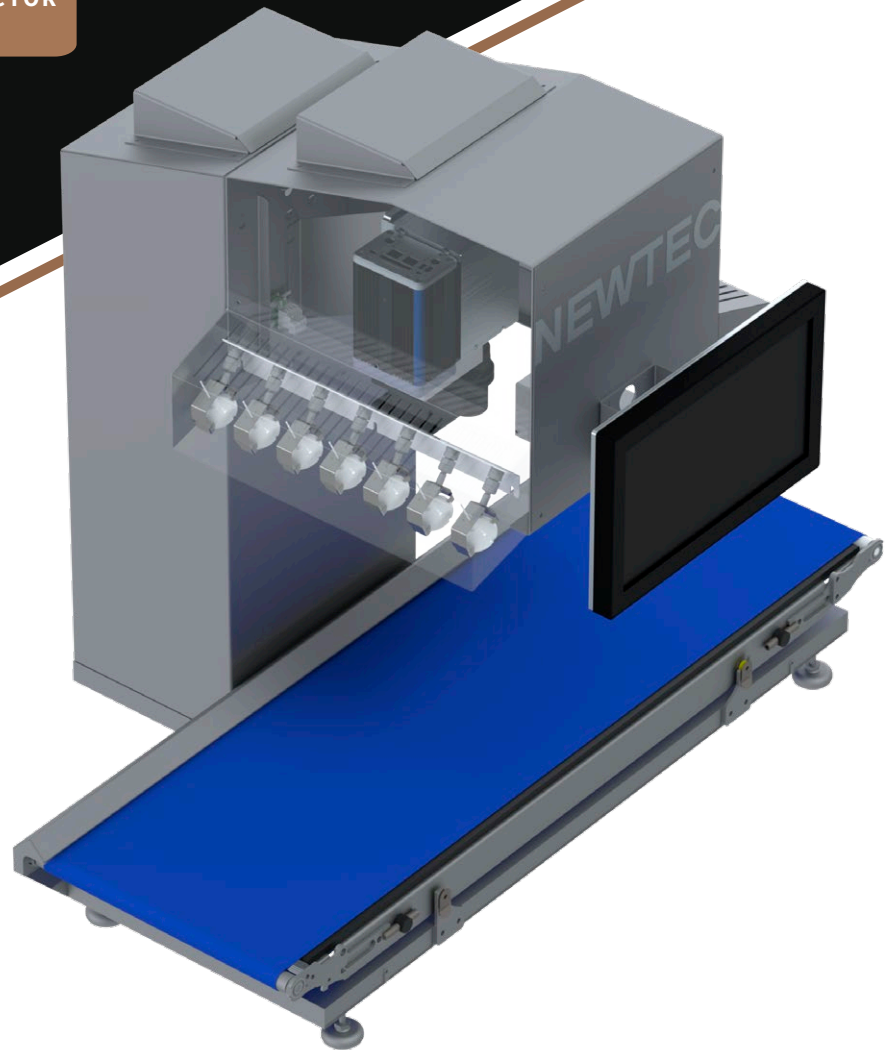


NEWTEC HSI SYSTEM BUTEO

VIS-NIR 430-1000nm
sCMOS DETECTOR



Pushbroom Hyperspectral System

Features

- All-in-one system
- Instant visualisation and processing of data
- Sub millimeter resolution size 0.17 mm x 0.25 mm
- Up to 300 mm wide scanning area
- Focused broadband halogen illumination

Application

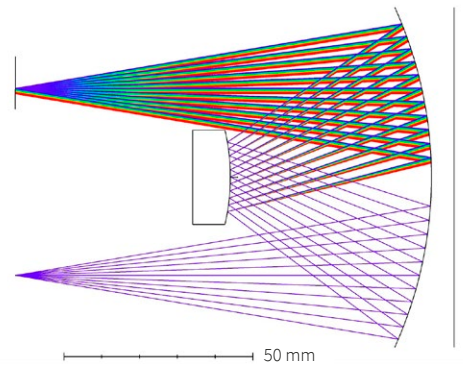
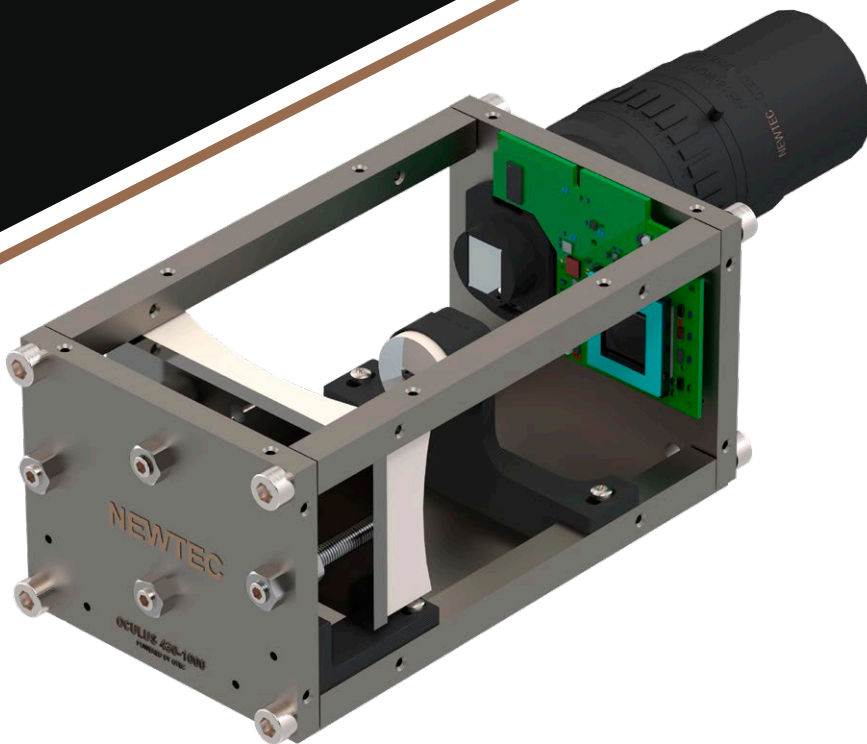
- For rapid quality control or chemical analysis

Powered by
LINUX



NEWTEC HSI CAMERA OCULUS

VIS-NIR 430-1000nm
sCMOS DETECTOR



SPECIFICATIONS

Sensor type	sCMOS
Spectral range	430-1000nm
Spectral bands	330 bands
Spatial Sampling Swath	1840 pixels
Numerical aperture	F/2.8
Slit size options	10-30 μ m
Spectral resolution	2.4nm
Lens mount	C-mount
Distortion	0.06%

Hyperspectral Smart Camera

Features

- Offner imaging spectrometer design
- Integrated CPU, GPU and FPGA
- Real-time processing
- Open Source via Linux
- Easy integration in custom HSI solutions

Application

- For live chemical monitoring or object detection

Powered by
LINUX

