

# NEWTEC CHECK POINT SERIES

## QC90-2

MORE THAN A  
CHECKWEIGHER



## Weight control with integrated visual inspection

### Advantages

- In-line Checkweigher with high accuracy
- Up to 90 units per min.
- Vision control for loose product detection and product separation
- Container validation (form, size, colour, orientation)
- Minimum- and e-weighing mode
- WebServices available for remote servicing and for capturing production data
- MachineLink enabled – from only one touchscreen, either on our checkweigher or our weighing machine, recipe change and start/stop for both machines is possible

### Application

Products in bags, punnets, trays and similar packagings



WEBSERVICES AVAILABLE  
FOR REMOTE SERVICING

## YOUR ADVANTAGES

- Combined checkweighing and visual inspection
- Visual quality control
- Product leakage detection
- Flexible selection of rejectors
- Extremely durable and accurate load cell



Newtec Check Point, Model QC90-2 with metal detector

## SPECIFICATIONS

Designed according to OIML R51 and approved according to the European Measurement Instruments Directive (MID).

<b>MID accuracy class</b>	XIII(1)
e	2 g

Weight and dimensions of applicable packagings

<b>Max. weight</b>	5500 g
<b>Min. weight</b>	200 g
<b>Max. Product length</b>	450 mm
<b>Max. Product width</b>	350 mm
<b>Max. Product height</b>	100 mm

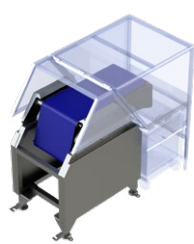
## CONFIGURATION OPTIONS



Cross reject (CR).  
Standard



Extra cross reject



Dropdown reject (DR). Optional



Lockable bin, cross reject (extra)

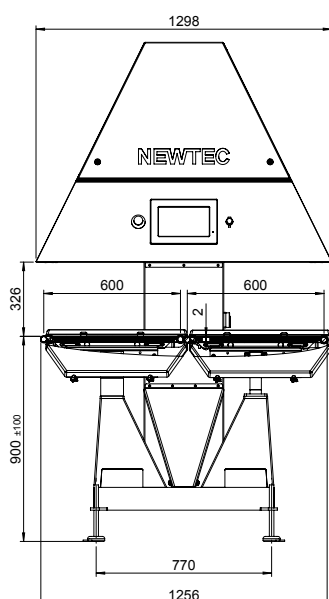


Lockable bin, drop down reject (extra)



Catch arm reject (AR). Optional

## IN-LINE CHECKWEIGHER



<b>Capacity</b>	Up to 90 units per min.
<b>Material</b>	According to the EU rules on food contact materials
<b>Air requirement</b>	
<b>Connection</b>	3/8"
<b>Min. pressure</b>	6 bar (0.6 Mpa)
<b>Consumption</b>	50 NL/min.
<b>Electrical requirement</b>	3x230 VAC or 3x400 VAC (N) PE 50/60 Hz 3 kW
<b>Environment</b>	5°C-35°C
<b>Weight</b>	Up to 295 kg

## NEWTEC SOFTWARE

- Intuitive user interface
- Informative and upgradable
- Same user interface on all Newtec weighing and packing machines

